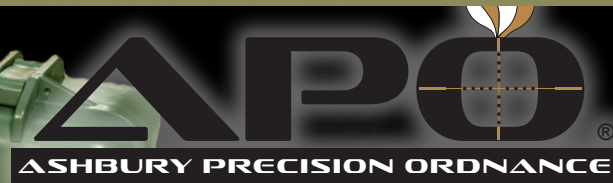


TACT3 TACTICAL TRIPODS



THE TACT3 LINE UP OF TACTICAL TRIPODS ARE RUGGED COMBAT PROVEN FIELD TRIPOD PLATFORMS for high magnification spotting scopes, thermal imagers, laser range finders, laser pointer/ illuminators, designators and other modern tactical optics. There are more than 15,000 TACT-3 tactical tripods in service with the US Armed Forces in a wide range of combat applications. Our tripods are in use by the US Army, US Navy, USSOCOM, US Marine Corps, and other selected government and law enforcement agencies.

thermal imagers, laser range finders, laser pointer/ illuminators, designators and other modern tactical optics. There are more than 15,000 TACT-3 tactical tripods in service with the US Armed Forces in a wide range of combat applications. Our tripods are in use by the US Army, US Navy, USSOCOM, US Marine Corps, and other selected government and law enforcement agencies.



The TACT3-GP was selected by the US Army for the Snipers Tactical Tripod Kit and coupled with the Leupold Mark-4 12-40 x 60mm tactical spotting scope. This versatile line tactical field tripods allows users to employ optics from prone to sitting positions. Constructed of high strength lightweight aerospace grade aluminum alloys, and hard coat anodized, all TACT3 tripods deploy quietly and provide rock solid stability necessary for precision use of high magnification optics.



TACT-3 Tactical Tripod Features

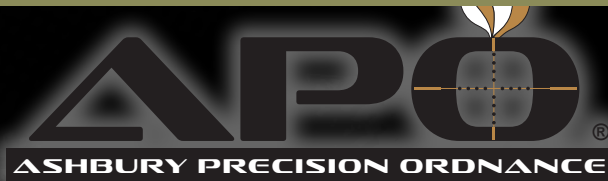
- Rugged Multi-Purpose Tactical Field Tripod Line Up
- Amagnetic Construction Compatible with Digital Magnetic Compass
- General Purpose Model (no terrain leveling gimbal and magnetic)
 - Pan/Tilt Tripod Head +/-65° (v) x 360° (h)
 - Fine Motion Elevation Control Model
 - Detachable Quick Release and Captive Hinged Base Plate Models
- Extendable Mast Assembly for Prone to Sitting Positions
- Standard 1/4x20 Threaded Interface
- Large Ergonomic 30mm Pan and Tilt Control Knobs
- Highly Stable Wide Tripod Base
- Monopod with Internally Stored Ground Spike Assembly
- Robust Lightweight Aluminum Alloy Construction
- Hard Anodized Non-Reflective Matte Gray Finish
- Length Collapsed: 17" to 18" Weight: 2.93 to 3.4 lbs.

Ashbury Precision Ordnance Mfg.
A Division of Ashbury International Group, Inc.
PO Box 8024, Charlottesville, VA. 22906-8024
Tel 434-296-8600, Fax 434-296-9260
info@AshburyPrecisionOrdnance.com

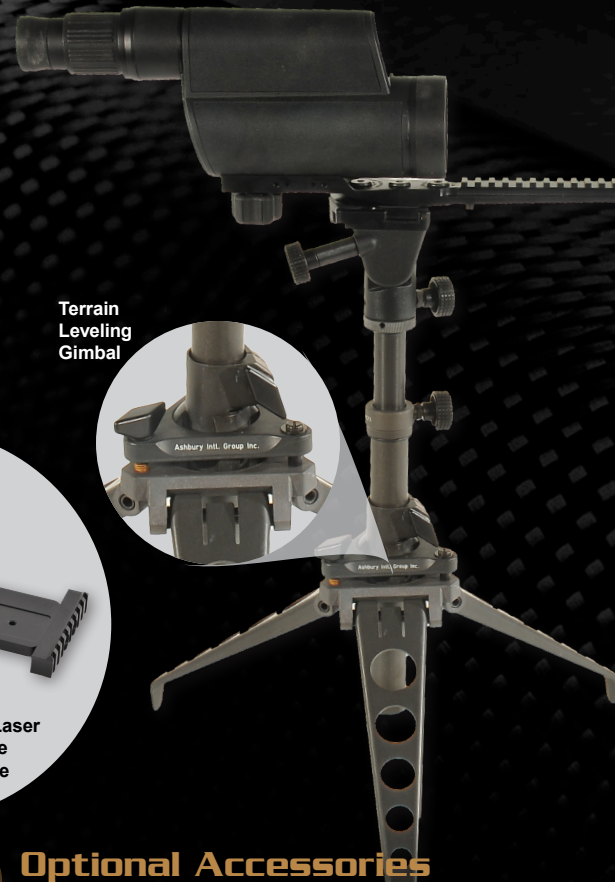
P/N 030-03V-0001-00

AshburyPrecisionOrdnance.com

TACT3 TACTICAL TRIPODS



TACT3-GP Shown With Optional Spotting Scope Accessory Rail (SSAR) and AN/PVS-26



Terrain Leveling Gimbal



STORM Multi-Function Laser and Tactical Interface Mount with Telescope Alignment Lock

Model	Features	Part Number	NSN
SEL	Amagnetic w/Fine Elevation Control	600-41V-0003-00	
QEL	Amagnetic w/Fine Elevation Control & Hinged Base Plate	600-41V-0006-00	1240-01-568-8373
S	Amagnetic w/Detachable Base Plate	600-41V-0001-00	1260-01-566-6666
Q	Amagnetic w/ Hinged Base Plate	600-41V-0002-00	1260-01-578-1898
GP	Standard w/o Terrain Leveling Gimbal	600-41V-0004-00	

Optional Accessories

- Nylon Tripod Case w/MOLLE-PALS (colors: ACU, OD Green, Coyote Brown, Black)
- Spotting Scope Accessory Rail (SSAR) for clip on night vision and thermal devices
- SSAR Conversion Kit for T.I.M
- Tactical Interface Mount (T.I.M)
- Tactical Interface Mount -17 (T.I.M.-17)
- Telescope Alignment Lock (TAL) for Small Base Mark 4 Spotting Scopes
- Leupold 12-40x60mm Mark 4 Tactical Spotting Scope w/TMR or Mil-Dot Reticle
- killFlash® Anti-Reflective Filter (ARD) 60mm
- Spotting Scope Night Vision Mount for AN/PVS-14 MNVD

Ashbury Precision Ordnance Mfg.

A Division of Ashbury International Group, Inc.
 PO Box 8024, Charlottesville, VA. 22906-8024
 Tel 434-296-8600, Fax 434-296-9260
 info@AshburyPrecisionOrdnance.com